



Greenwich Instruments Ltd

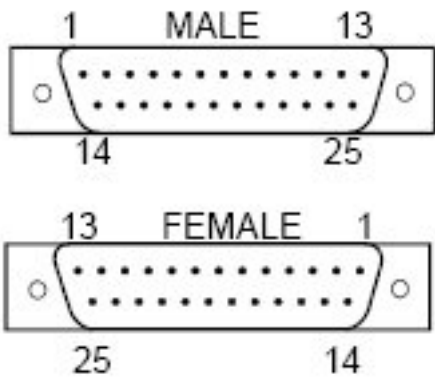
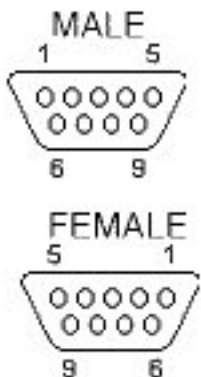
GW132 Connections

Document Version 1.0.0
Prepared By: Richard Iles
Created: 05/02/2007
Updated: 05/02/2007

GW132 – Connections

PC Connection

The GW132 device is connected to a PC/peripheral via a 9 or 25 way male or female connector (depending on the unit ordered). The connections are shown below:

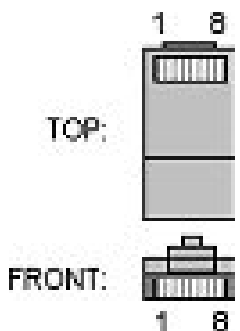
Picture 1 - Typical 25-way serial pinout		Picture 2 - Typical 9-way serial pinout	
<p>RS-232 Connections</p> 		<p>RS-232 Connections</p> 	
Pin	Desc.	Pin	Desc.
1	Shield Ground	2	Data RX
2	Data RX	3	Data TX
3	Data TX	4	DTR
4	RTS	5	Data Ground
5	CTS	6	DSR
6	DSR	7	RTS
7	Data Ground	8	CTS
8	DCD		
20	DTR		

NOTE: The handshake lines (RTS-CTS and DSR-DTR) are not used for communication but are required to power the device.

NOTE: To power the device externally, connect a DC power supply (up to 12V) across any of the handshake lines and Data Ground.

Unit-to-unit Connection

The GW132 devices are connected together using a crossover RJ-45 coupler. The RJ-45 connections are shown below:

<p>Picture 3 - Typical 8-way RJ-45 male connector</p> 	Pin	Desc.
	3	TX +
	4	TX -
	5	RX -
	6	RX +

To ensure correct operation, two GW132's must be connected as follows:

GW132 A		GW132 B	
Pin	Desc.	Pin	Desc.
3	TX +	6	RX +
4	TX -	5	RX -
5	RX -	4	TX -
6	RX +	3	TX +